

DMR-300 AC 110 ~ 220V Power Supply

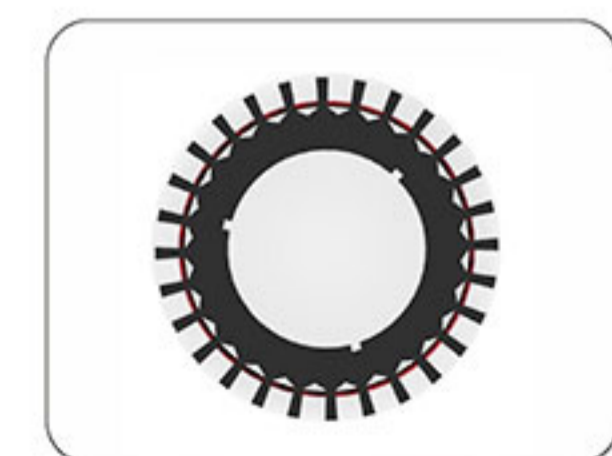
Multi Reax | 3D Multi-Point oscillator

◆ In order to simplify these processes, we have developed multi-point vortex oscillators, which are widely used in biological experiments, medical and health care, materials industry, food and chemical industry (to list: sodium cyclamate, blood).

- ◆ Food: additive content, organic high-risk substances.
- ◆ Drug analysis: agricultural residues of traditional Chinese medicine and biochemical analysis of western medicine.
- ◆ Detection of agricultural and sideline products: QuEchERS, residues of agricultural products, residues of veterinary food materials.
- ◆ Environmental testing: water quality, soil.

Suitable for various test tubes

It can accommodate 16 bits of tubes with a diameter of 16-32 mm or 28 bits of tubes with a diameter of 9-18 mm, such as thick wall colorimetric tubes, glass pressure resistant tubes, Teflon plug reaction tubes, Nessler colorimetric tubes, centrifuge tubes, plexiglass tubes, high borosilicate tubes, etc. (tubes with buckle covers or screw caps).



Adapter 28 bit

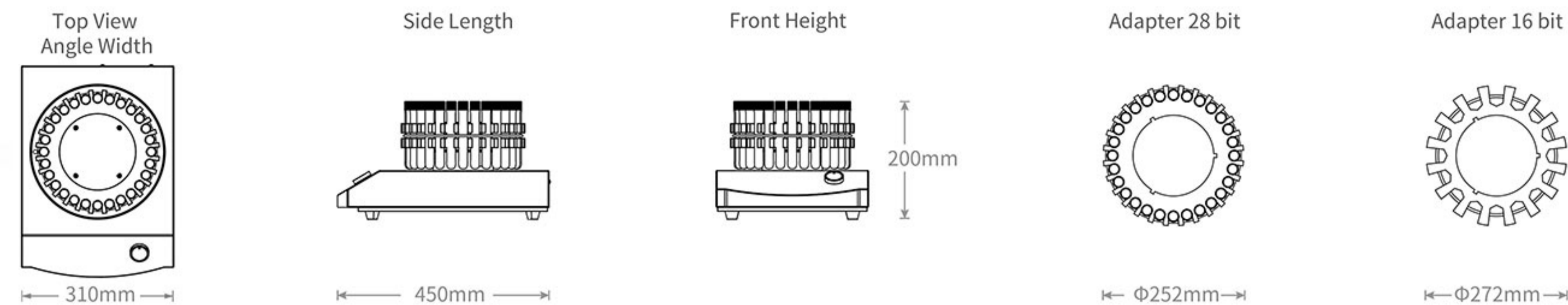
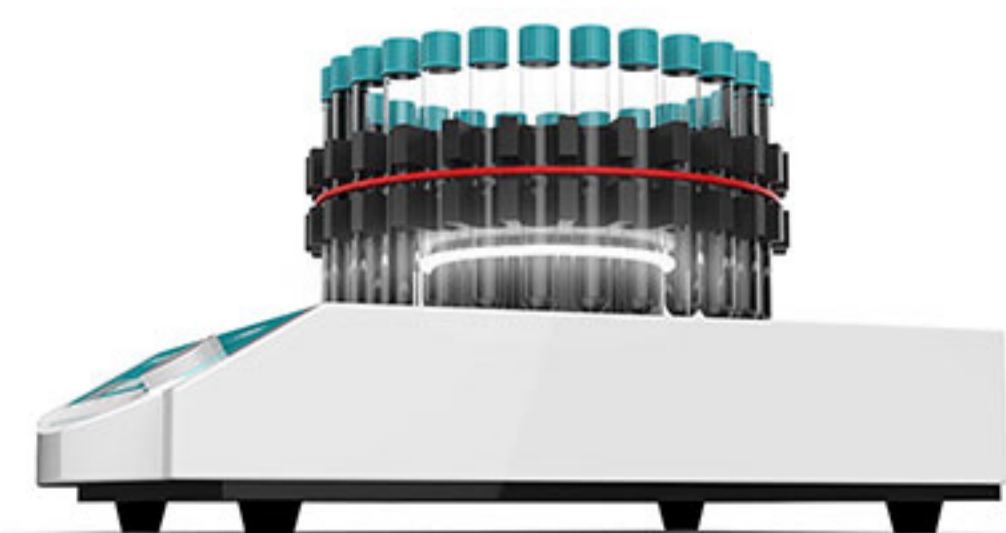


Adapter 16 bit

Elegant Mute



Built in 24V LED Light Strip



Technical Parameters

Model	DMR-200	DMR-300	DMR-400
Control mode	Combination of buttons and knobs		
Display mode	Digital display		
Amplitude	3mm		
Disk size	R50: Inner Φ 14.2cm, Outer Φ 27.2cm, R15: Inner Φ 14.2cm, Outer Φ 25.2cm		
Adapter specifications	Can accommodate 16 tubes with a diameter of 16-32mm (30-50ml)		
	Can accommodate 28 tubes with a diameter of 9-18mm (10-25ml)		
Standard accessories	2 tube clamps		
Rotational speed range	300 ~ 2000rpm	300~3000rpm	300~4000rpm
Output power	120W	150W	180W
Motor type	DC motor (brushless)		
Angle	Three-dimensional		
Motion mode	Automatic reset		
Protection class DIN EN 60529	IP 30		
Timing function	1 ~ 99 hours 59 minutes		
Maximum load	1.8kg		
Operation mode	Timing or continuous		
Allowable environmental conditions	Maximum relative humidity of 80% at 5 ~ 35 °C, Linearly decreasing relative humidity up to 50% at 36 ~ 40 °C		
Size (w/d/h)	310 x 450 x 200 mm		
Weight	17.04 Kg	17.05 Kg	17.06 Kg
Rated voltage	AC110-220V 50/60Hz		